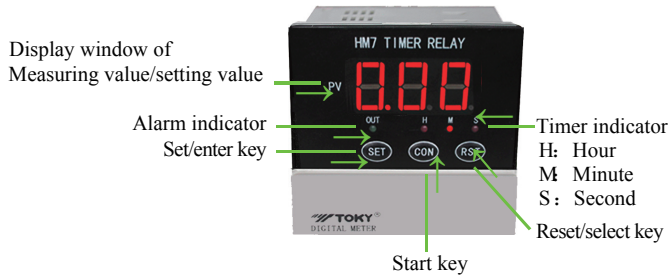


# HM Series Timer Relay

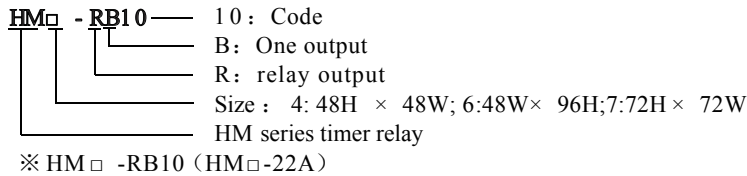
## 1. Panel Indication



## Features

- ⊙ High bright LED display
- ⊙ Thumb switch preset value
- ⊙ Turn-on control function
- ⊙ Power fail memory function
- ⊙ Optional multi-size : 48W × 48H; 48W × 96H; 72W × 72H

## 2. Ordering code



## 3. Parameters

Power supply	AC 220V± 10% 50Hz
Consumption	<5W
Accuracy	± 0.1%
Reset time	<0.2S
Contact impedance	AC 250V 3A Resistance load
Setting range	0.1S ~99.9H
Delay time range	0.1S ~99.9H
Temperature	45--75% RH
Humidity	0℃~+50℃
Life	Relay life : 5 m times      Electronic life: 100K times

## 4. Functions (Operation manual)

In the estate of operating, press and hold SET key for 3-4 seconds, entering the parameter setting area. Then press RST key to select the function. Press SET key to confirm and go to the next parameter.

\*\* In case the meter display 00 when power on, press CON key or connect the CON pin and GND pin, the meter will enter the estate of operating.

### 1). Menu A Time unit setting

#### 【Timer setting value】

Press RST key to select the unit H, M, S as you want. The indicator lamp H, M, S will show which unit you select.

### 2). Menu B--- Turn on function]

Press RST key can select: Select Y, power on again the instrument will display 00, it means CON key control turn on. Select N, power on again the instrument will enter the timer estate directly.

### 3). Menu C---Output mode selection

Press RST key select the output R, N, C as you want.

### 4). Menu D---Delay time, unit setting

Setting the value by thumb switch, then press RST key to confirm. Press RST key again can select the delay time unit H, M, S.

### 5). Menu E---Value save function

Press RST key to select: Y: Save, N: Not save

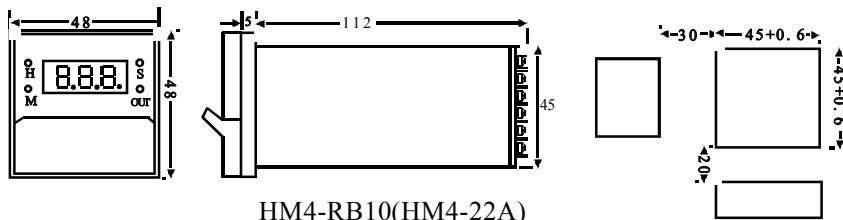
### 6). Menu F---Key protection function

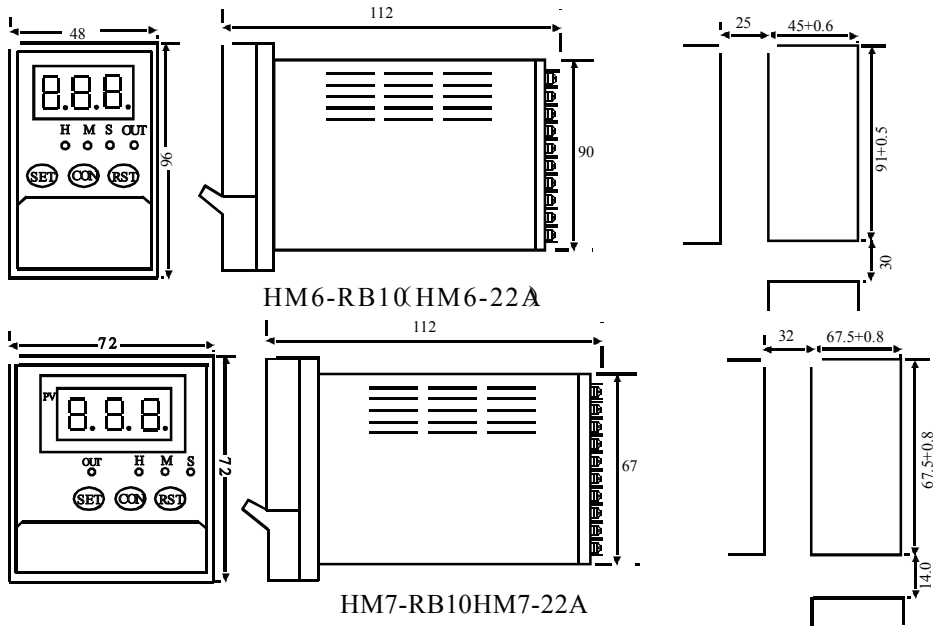
Press RST key to select: Y: key protection N: No key protection

## 【 Timer setting value】

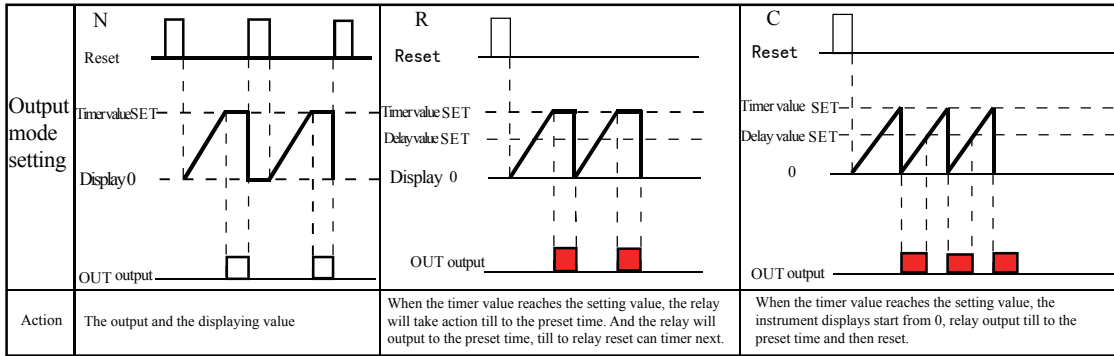
In the estate of working, the setting value can be modified by the thumb switch.

## 5. Dimension

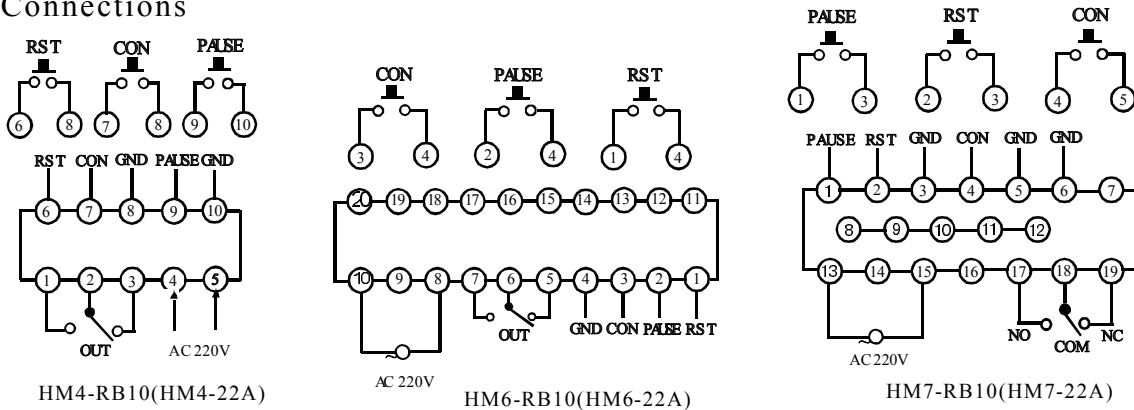




## 6. Output and reset



## 7. Connections



If any change caused, please refer the label on the products.

## 8. Cautions:

- 1) Don't change range and time setting of itself when working, otherwise the time relay will failure or be bad.
- 2) If the timer relay use in areas by interfere signal, the unit and the connect wire should be far away from interfere signal and the input signal wire use shielded cable.
- 3) Operating dielectric with voltage in occasion between electronic circuit and metal of no charge, the timer relay should be downloaded from the circuit or shorted.